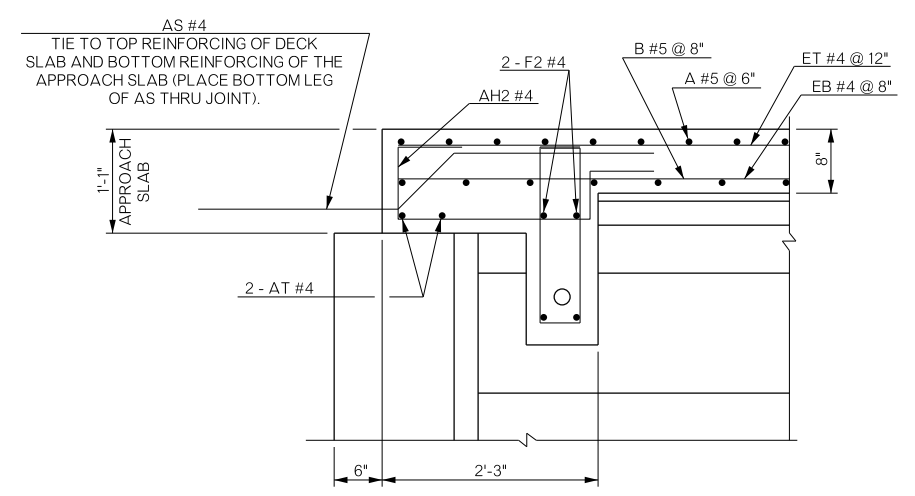
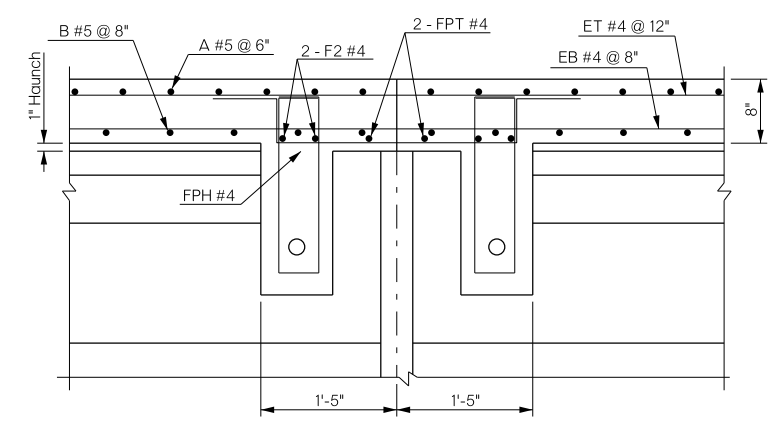


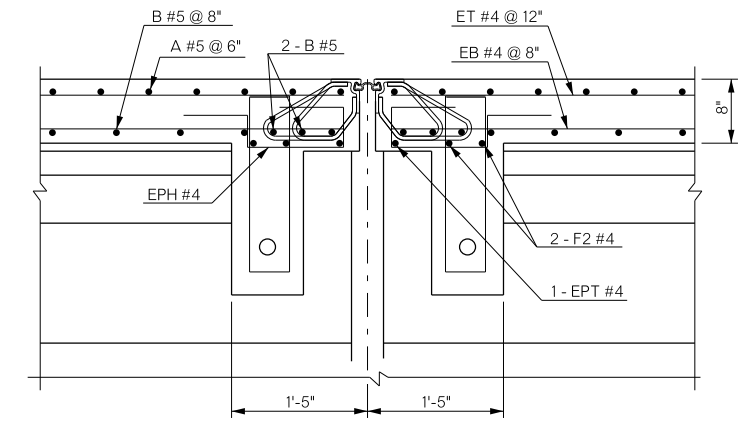
REVISIONS		
REV. NO.	DESCRIPTION	DATE



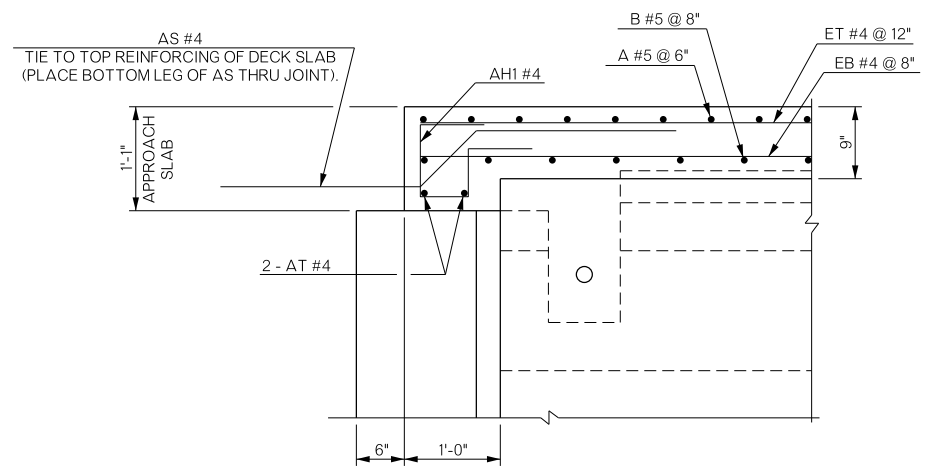
SECTION C



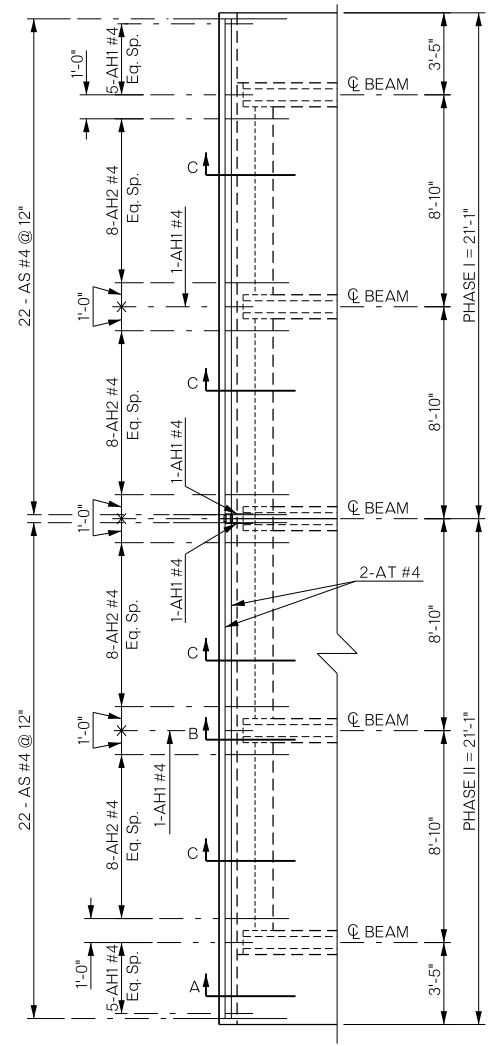
SECTION D



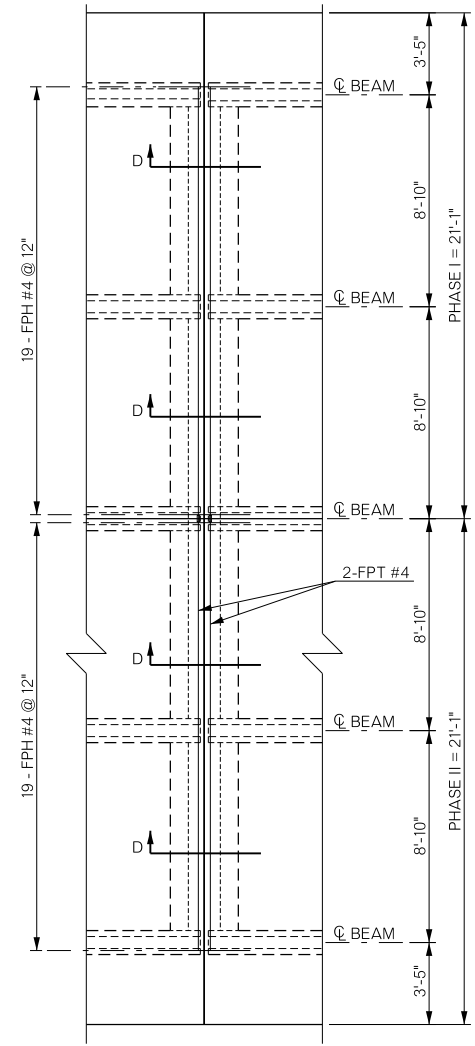
SECTION E



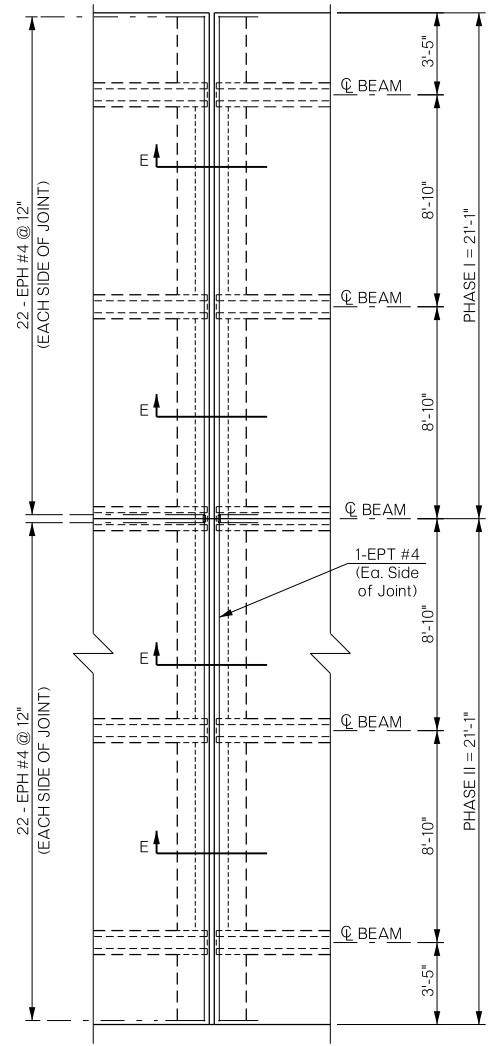
SECTION B



ABUTMENT NO. 1 OR 2

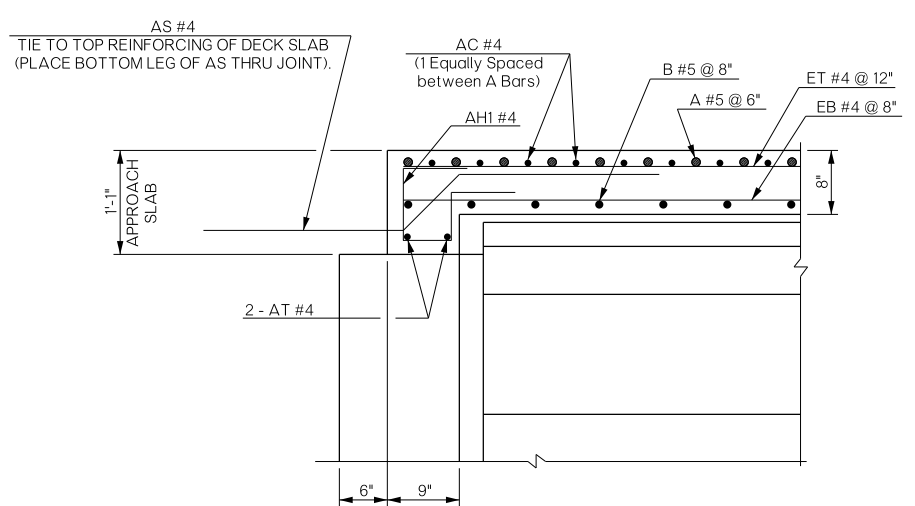
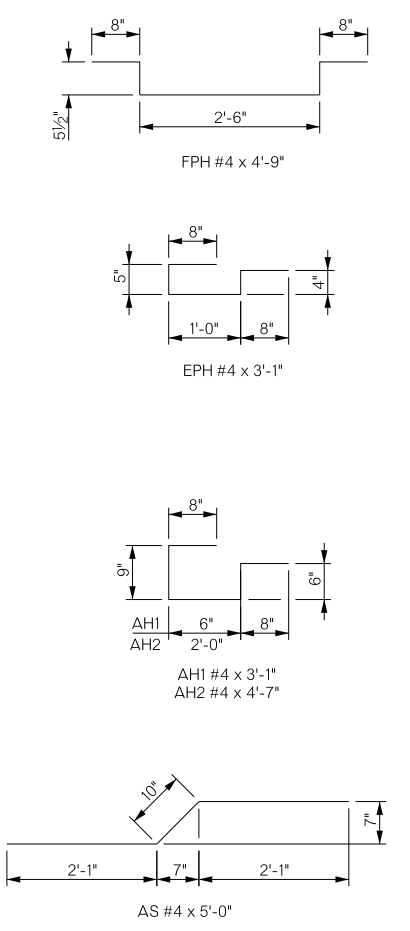


PIER NO. 1



PIER NO. 2

ADDITIONAL SLAB REINFORCING AT DIAPHRAGM PLANS



SECTION A

BRIDGE "B" U.S.-277 over SNAKE CREEK	COMANCHE COUNTY	Design	MLC	07/16
DETAILS OF SUPERSTRUCTURE (SHEET 2 OF 6)		Detail	VNT	07/16
		Check	DAH	04/17
STATE OF OKLAHOMA		Squad	HARJO	
DEPARTMENT OF TRANSPORTATION		Engr:	MOLLA-ESMAIL	
JOBPIECE NO. 27968 (04)		SHEET NO.	B019	